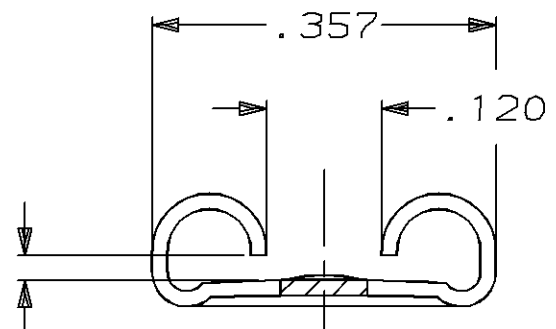
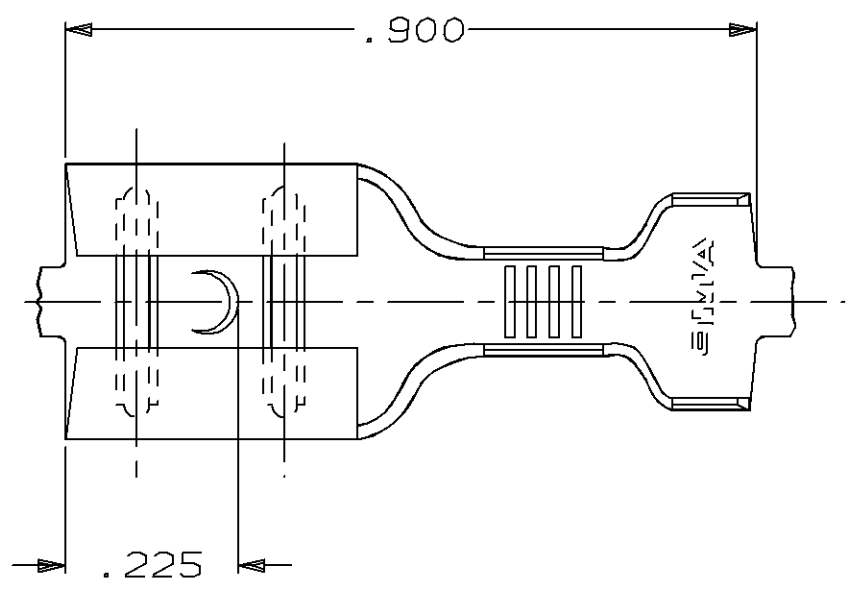


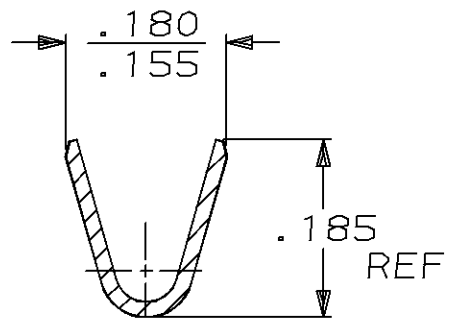
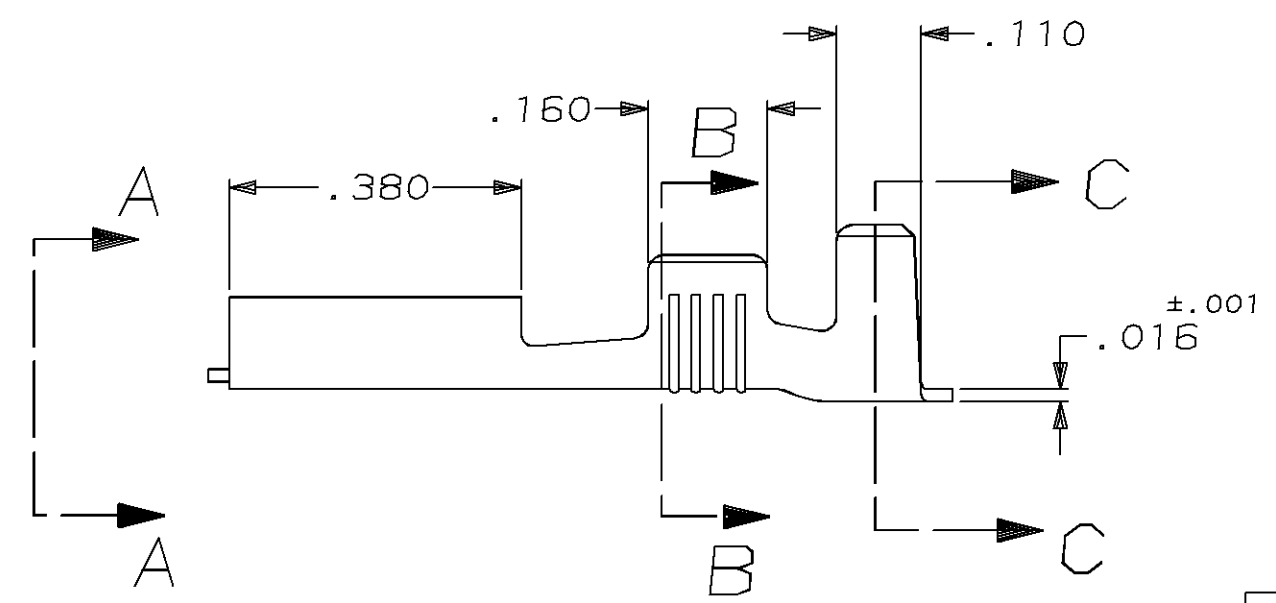
THIS DRAWING IS UNPUBLISHED. RELEASED FOR PUBLICATION, 19 .
 © COPYRIGHT 19 BY AMP INCORPORATED. ALL INTERNATIONAL RIGHTS RESERVED.

LOC	DIST	P	F	ZONE	LTR	REVISIONS		
AF	50				H	DESCRIPTION	DATE	APPD
						REV PER 0710-0272-95	9/29/95	JR/PD

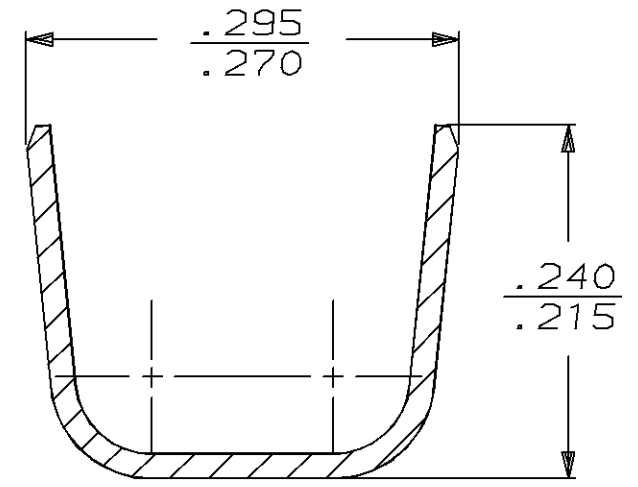
1 CONTINUOUS STRIP ON REELS



FITS .312 SERIES FASTON TABS
 VIEW A-A
 SCALE 5:1



SECTION B-B
 SCALE 5:1



SECTION C-C
 SCALE 5:1

.110-.210 OR (2).110 MAX	16-12 AWG	.032	61399-1
INSULATION RANGE	WIRE SIZE	MATING TAB THK ±.001	PART NO
DO NOT SCALE PRINT. UNLESS SPECIFIED DIMENSIONS ARE IN INCHES TOLERANCES ON: 2 PLC DEC ± - 3 PLC DEC ± .010 ANGLES ± -	DR 10/28/91 JR RUTH CHK 10/28/91 MS FEHER APPD 10/28/91 C MEYERS APPD 10/28/91 D REINER PRODUCT SPEC -	AMP AMP Incorporated Harrisburg, PA 17105-3608	
MATERIAL 4M BRASS	FINISH TIN .000080 MIN	NAME RECEPTACLE, FASTON, .312 SERIES	
	APPLICATION SPEC 114-2036	SIZE B	CAGE CODE 00779
	WEIGHT -	DRAWING NO 61399	SCALE 4:1
		SHEET 1 OF 1	